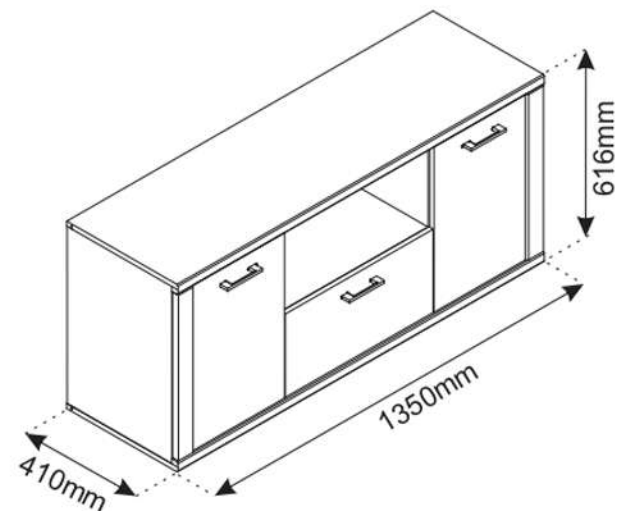
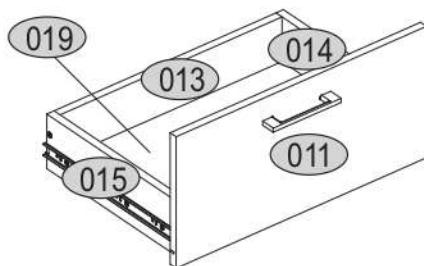
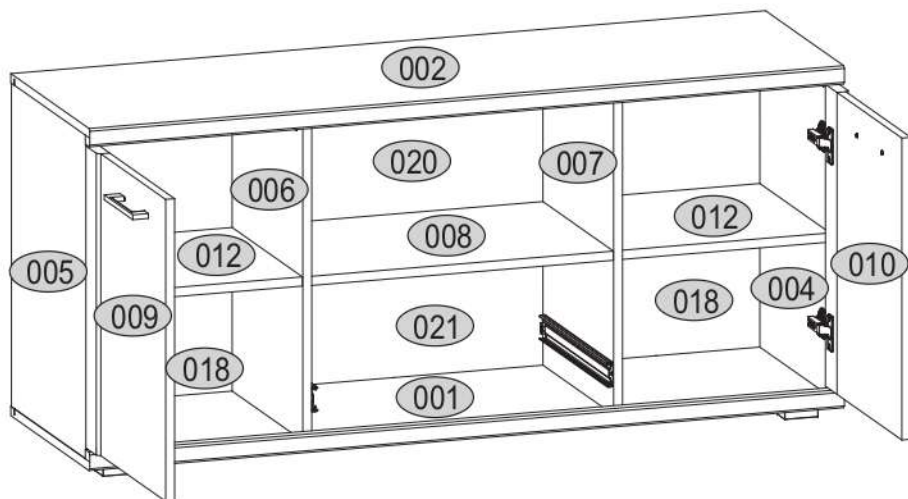
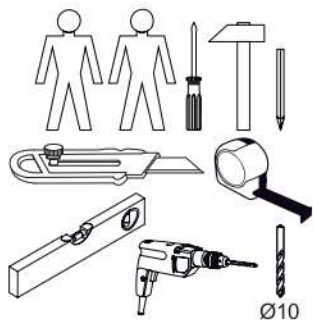
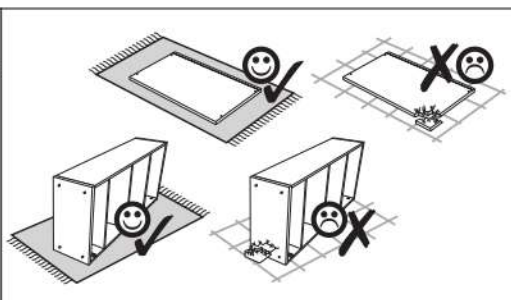
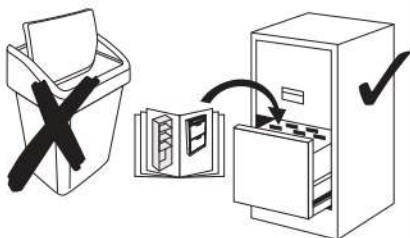




# CONRAD 2D1S



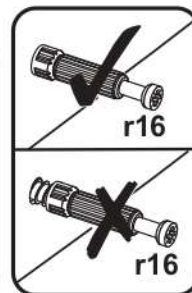
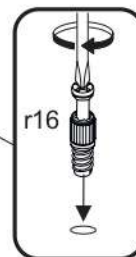
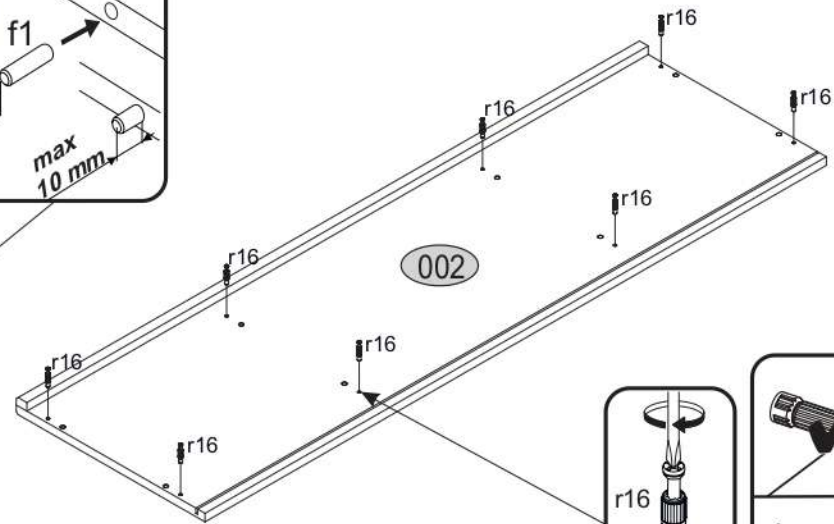
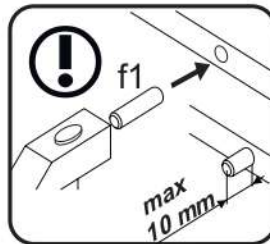
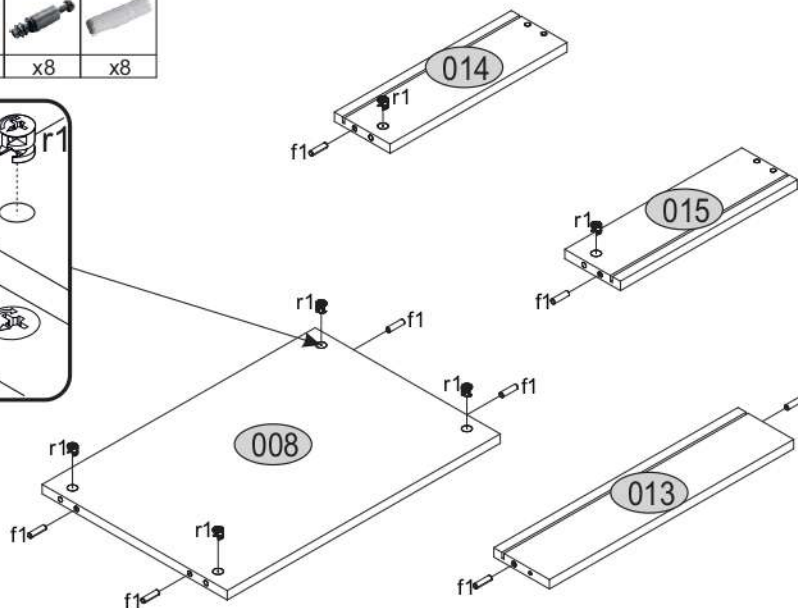
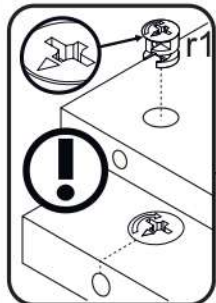
KÓD	ROZMER				BALÍK
	1350	410	16/32		
001	1350	410	16/32	1	1/2
002	1350	410	16/32	1	1/2
004	564	387	16	1	1/2
005	564	387	16	1	1/2
006	564	367	16	1	1/2
007	564	367	16	1	1/2
008	540	366	16	1	1/2
009	526	397	16/22	1	2/2
010	526	397	16/22	1	2/2
011	545	265	16	1	1/2
012	372	365	16	2	2/2
013	483	110	16	1	1/2
014	350	110	16	1	2/2
015	350	110	16	1	2/2
018	582	389	2,5	2	1/2
019	501	352	2,5	1	1/2
020	556	296	2,5	1	1/2
021	556	286	2,5	1	1/2
PRÍSLUŠENSTVO				1	1/2



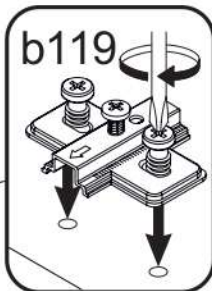
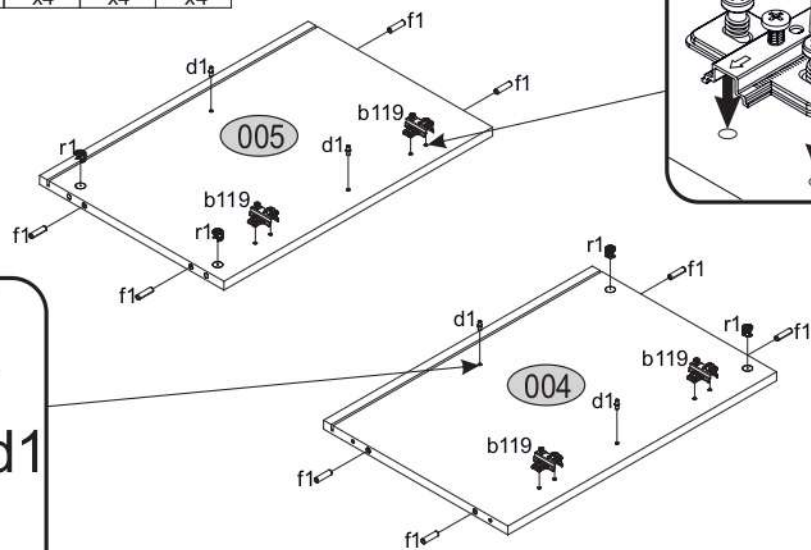
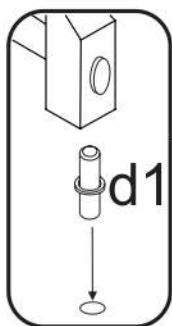
<b>10x e1</b> Ø7x50 	<b>24x f1</b> Ø8x30 	<b>6x p9</b> 	<b>12x p18</b> 
<b>1x lb-350</b> 	<b>31x p25</b> Ø3.5x16 	<b>14x r1</b> 15x12 	<b>14x r16</b> Ø5x24 
<b>10x s2</b> 	<b>1x z1</b> 	<b>3x n260.01</b> 	<b>8x d1</b> 
<b>4x a144</b> 	<b>4x b119</b> 	<b>3x c46</b> 	<b>8x l2</b> 
<b>6x k311.05</b> 			



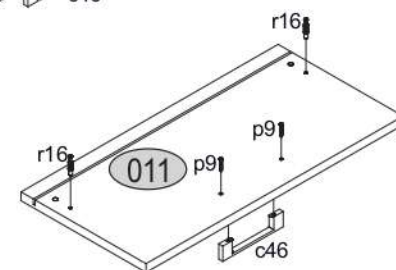
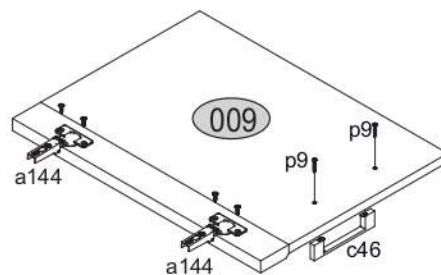
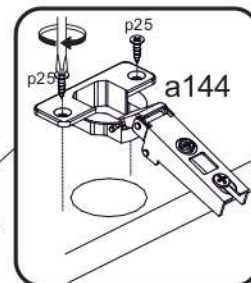
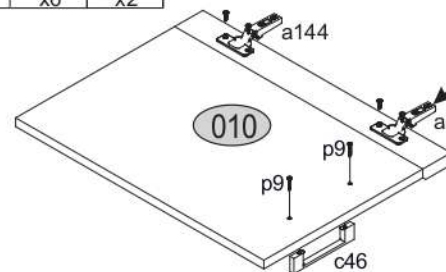
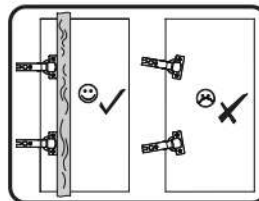
- 1**
- |    |     |    |
|----|-----|----|
| r1 | r16 | f1 |
| x6 | x8  | x8 |



- 2**
- |    |    |    |      |
|----|----|----|------|
| f1 | r1 | d1 | b119 |
| x8 | x4 | x4 | x4   |

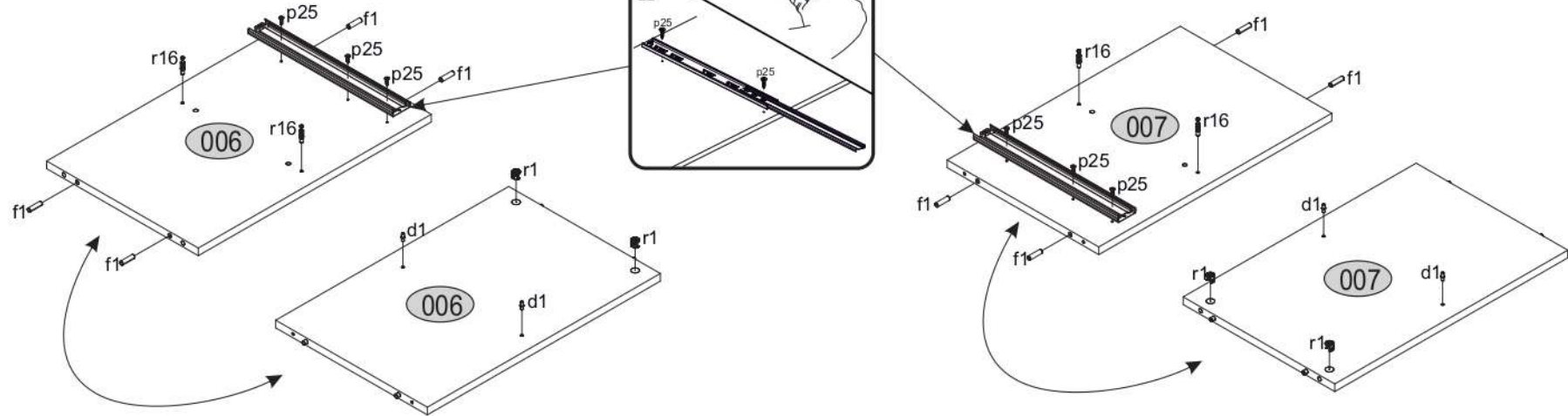


- 3**
- |      |     |     |    |     |
|------|-----|-----|----|-----|
| a144 | p25 | c46 | p9 | r16 |
| x4   | x8  | x3  | x6 | x2  |



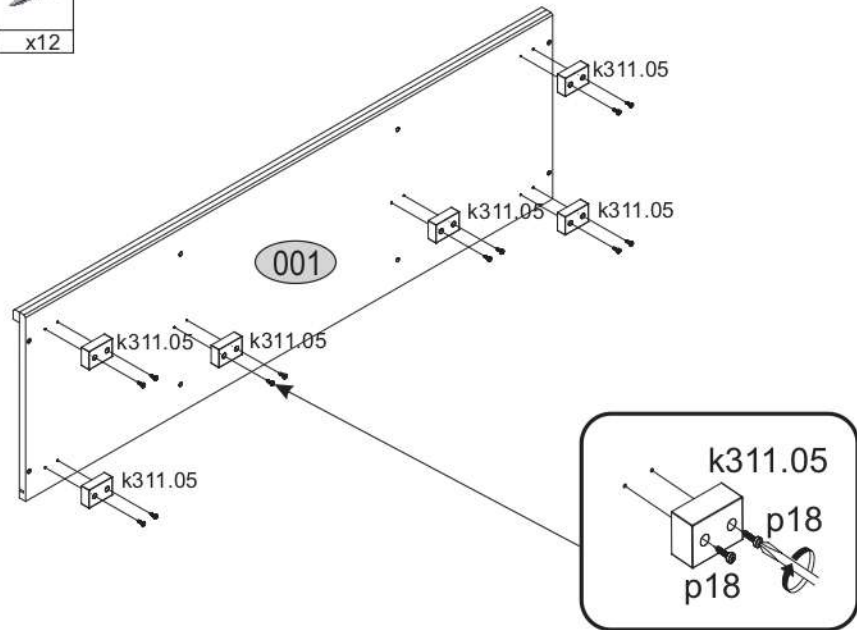
# 4

<b>f1</b>	<b>r1</b>	<b>d1</b>	<b>p25</b>	<b>lb-350</b>	<b>r16</b>
x8	x4	x4	x6	x1	x4

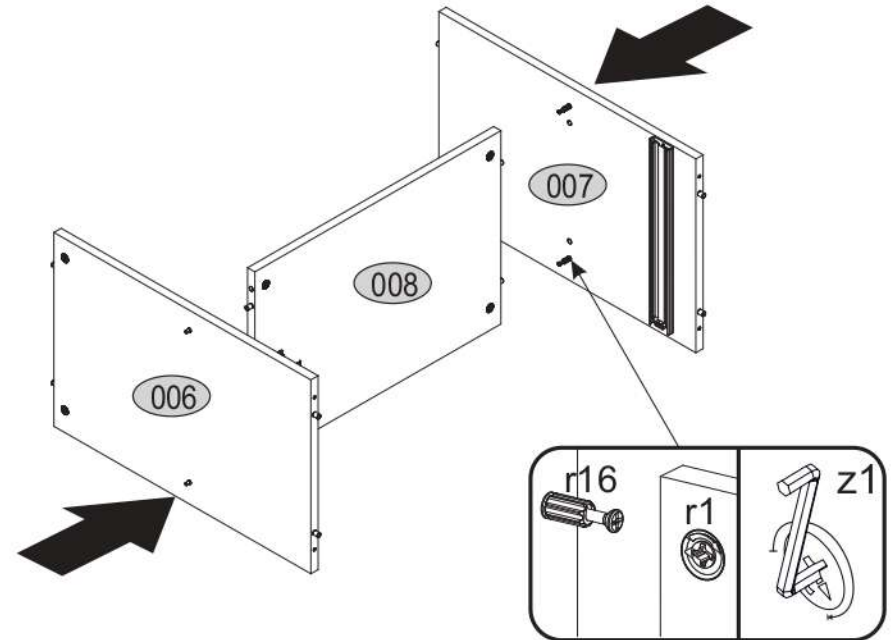


# 5

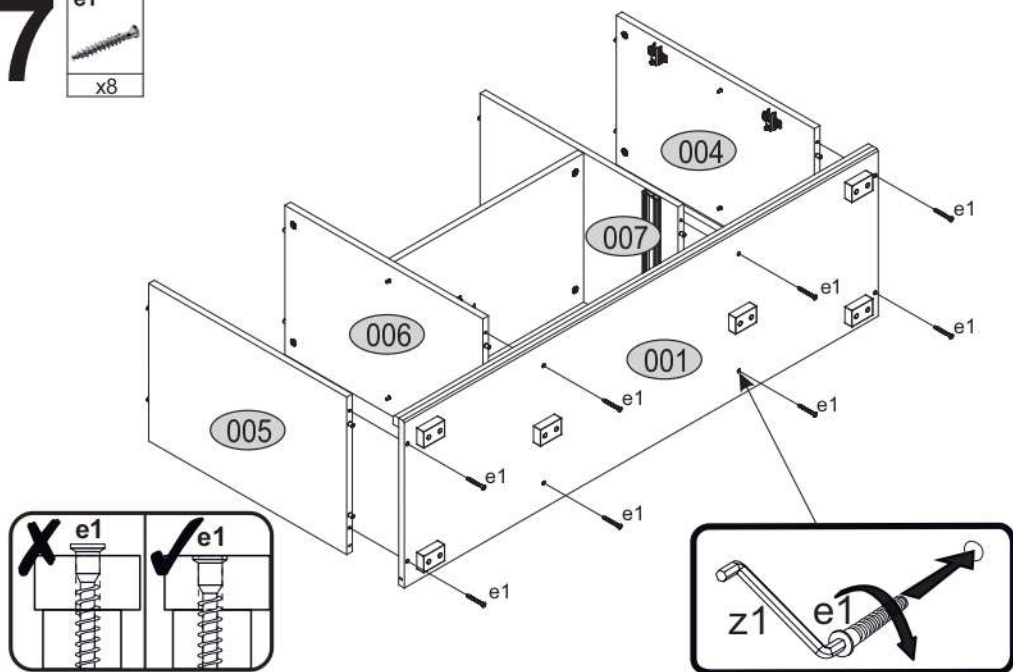
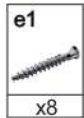
<b>k311.05</b>	<b>p18</b>
x6	x12



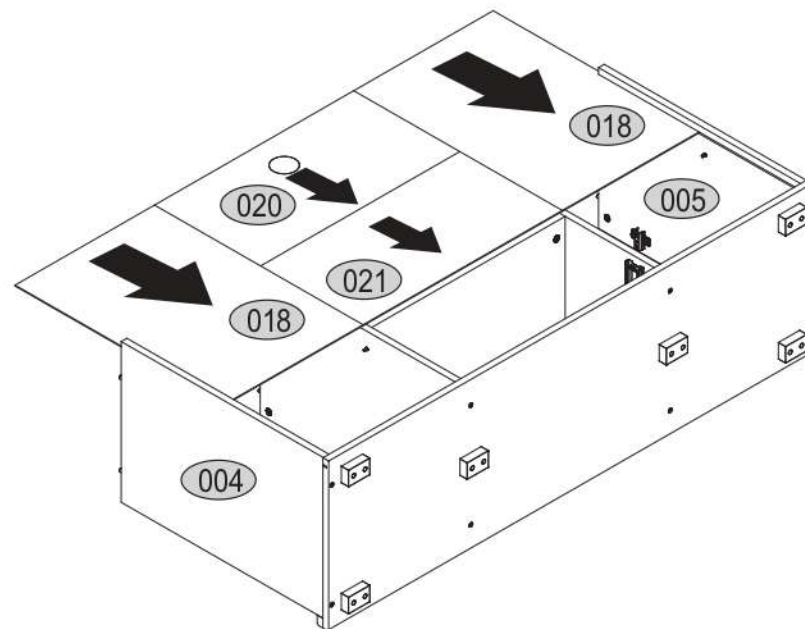
# 6



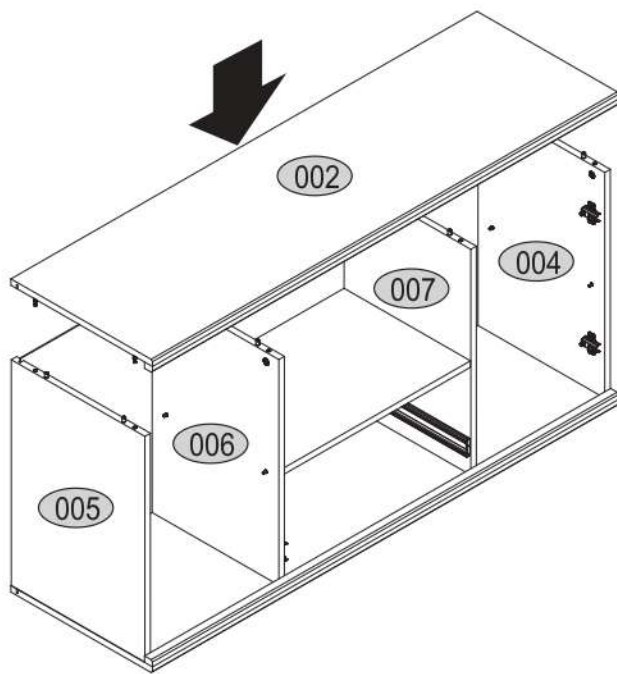
# 7



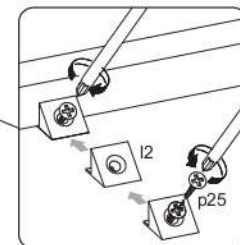
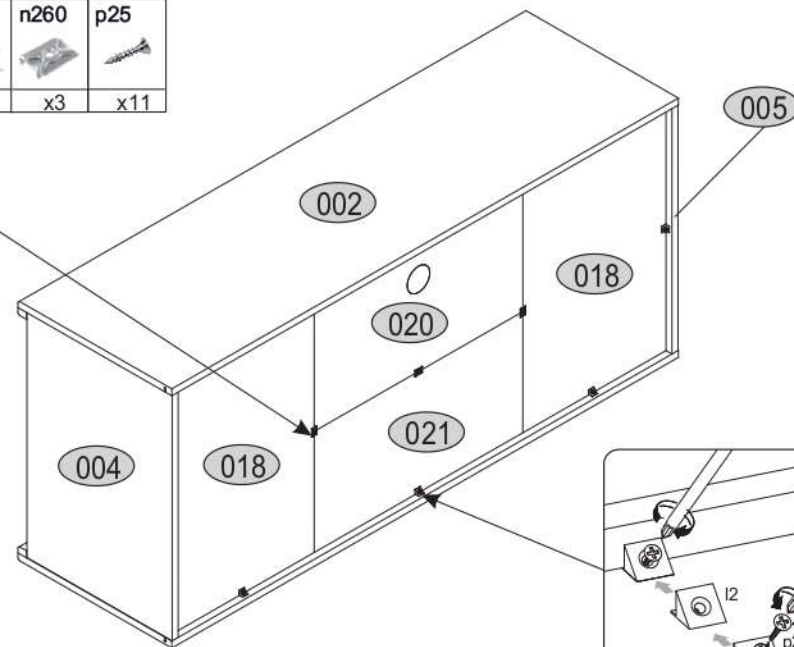
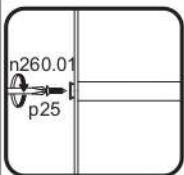
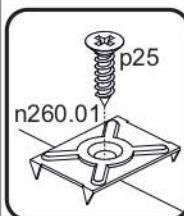
# 8



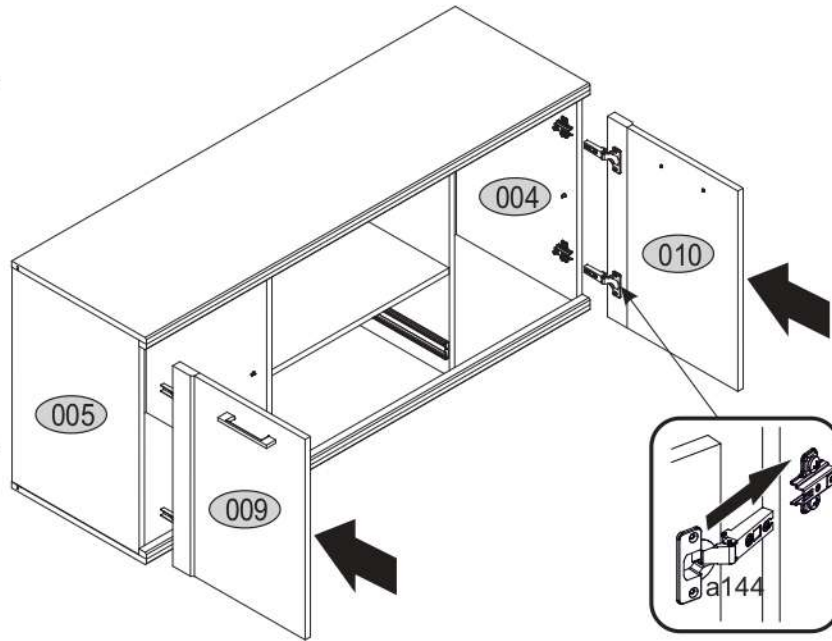
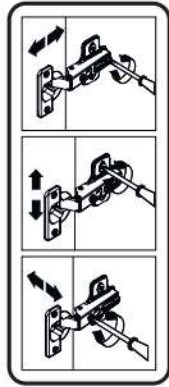
# 9



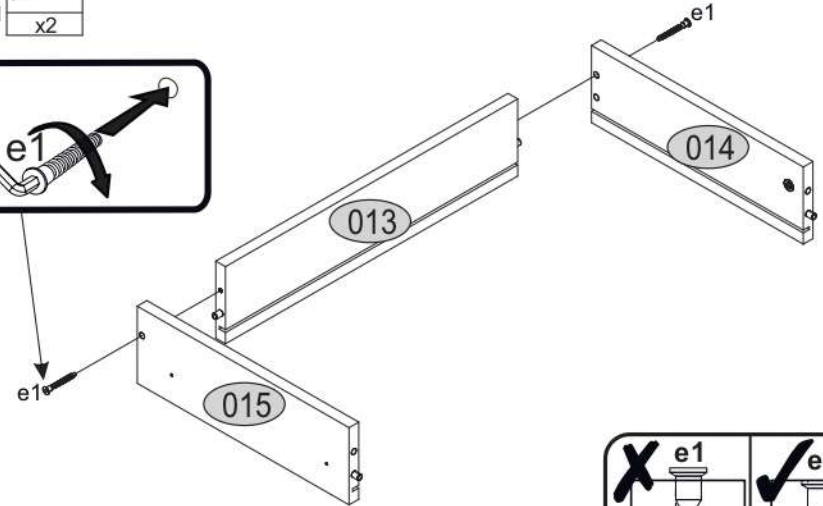
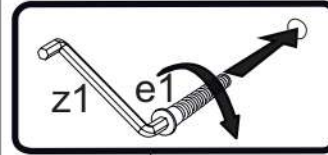
# 10



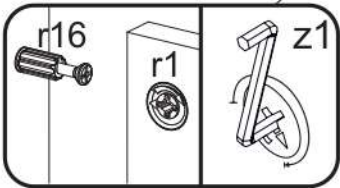
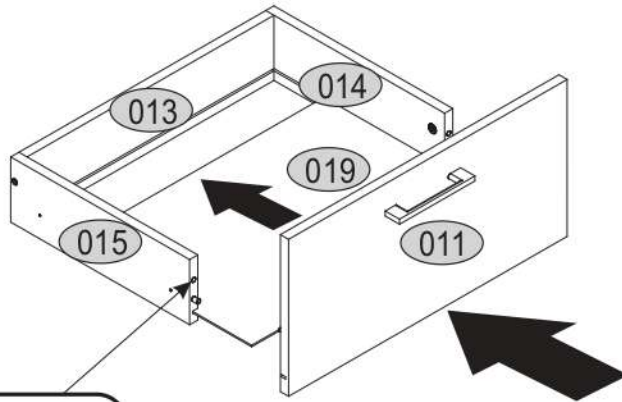
# 11



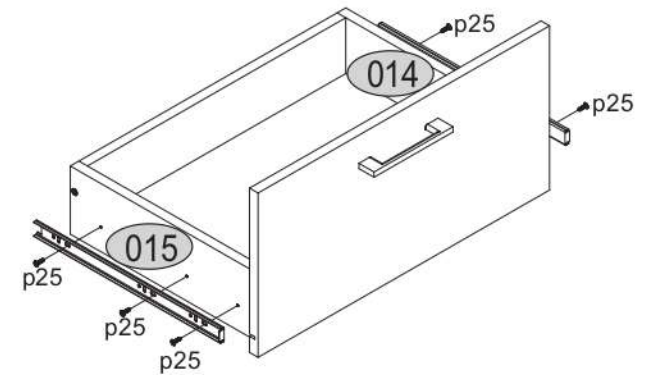
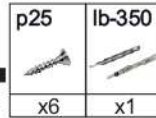
# 12



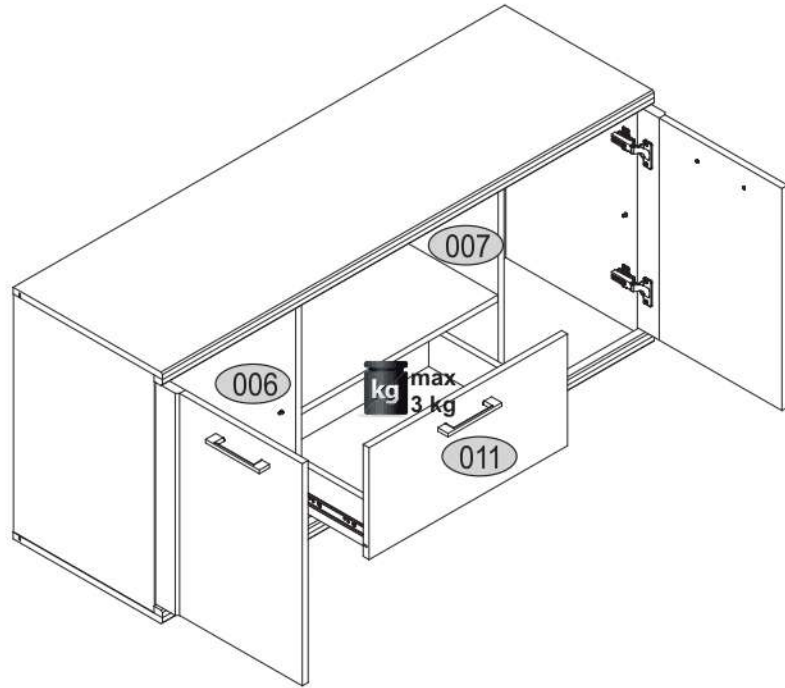
# 13



# 14



# 15



# 16

s2  
x10

